

Roll-A-Cover Enclosure Site Preparation Sign-Off Sheet

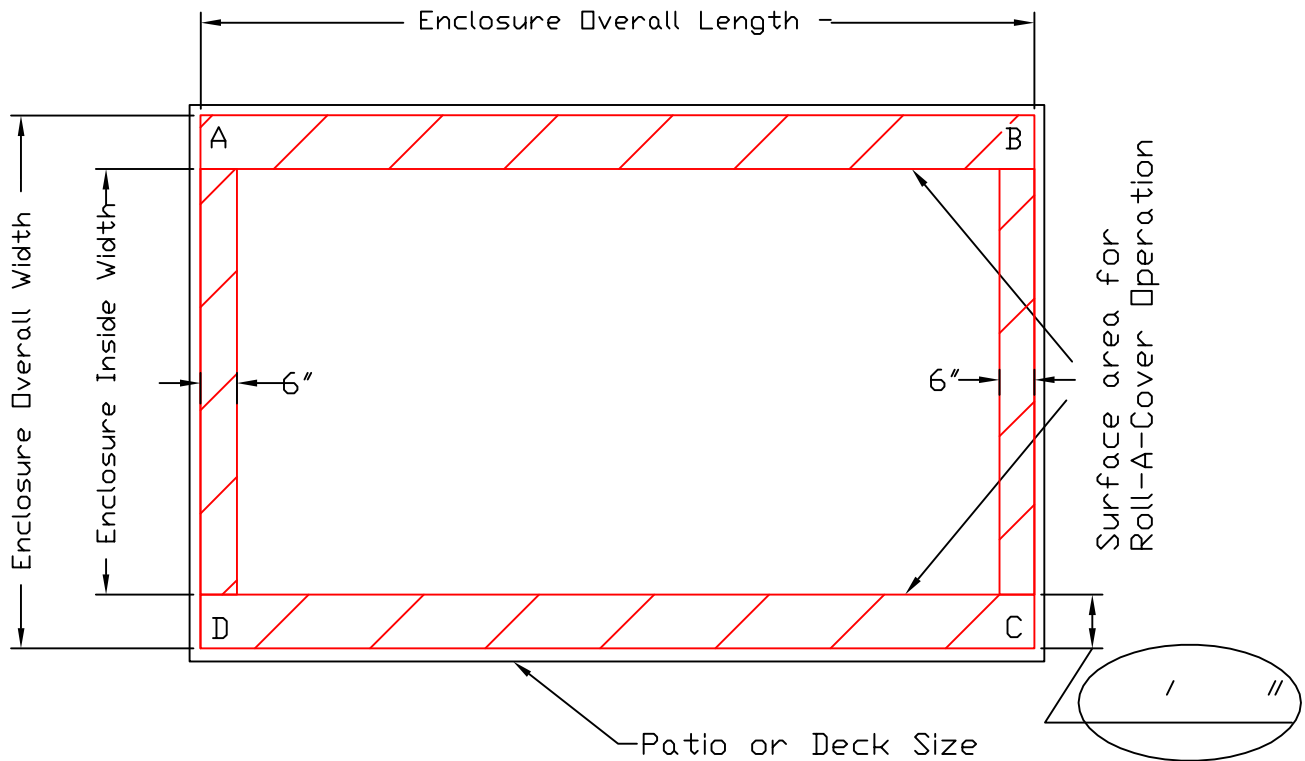
Customer Name:

Job Address:

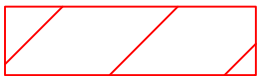
Enclosure Overall Length:

Enclosure Overall Width:

Enclosure Inside Width:



Points A,B,C,D -Need to be at same elevation, with straight lines between.



These areas need to be at the same elevation, level & flat.

I the undersigned, understand that the Roll-A-Cover units are designed to operate on a level, plumb & square surface. I also understand that the parameters of this drawing need to be met for the systems usability and to be covered under all warranties applicable to the systems design requirements.

Roll-A-Cover
36 Sargent Drive
Bethany,CT 06524

Tel: 203-393-7292
Fax: 203-393-7298

www.Roll-A-Cover.com

Salesperson:

Model #:

Approved By:

Company:

Position:

Date: