

RAC UNIT - CLOSED POSITION

DRAWING #:
MM-VVC-01A

SHEET #:
1 OF 5

JOB NAME & ADDRESS:
14 BAY
TIERED SYSTEM

ORIGINATION
DATE: 1-30-26

SCALE: 1/8" = 1'-0"

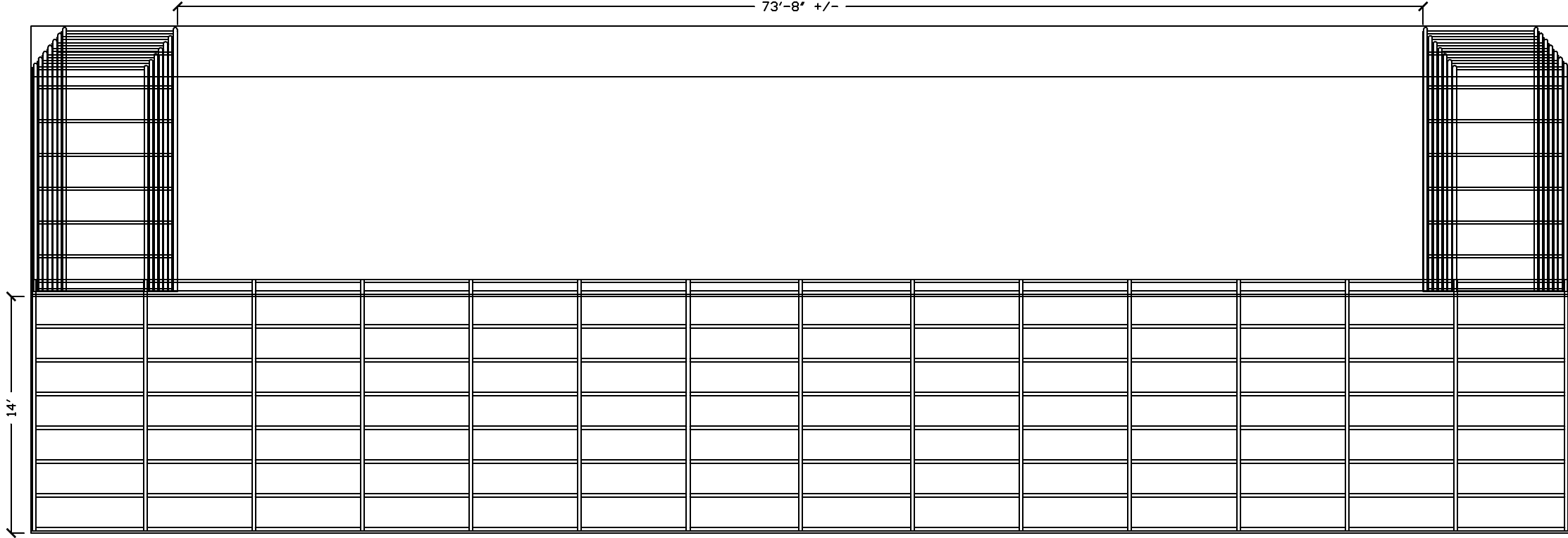
SALESMAN: M. MORRIS

DRAWN BY: B. TAYLOR

ROLL-A-COVER INT'L
36 SARGENT DR.
BETHANY, CT 06524

Tel: 203-393-7292
Fax: 203-286-2012
WWW.ROLLACOVER.COM

REVISED
REVISED
REVISED



RAC UNIT - OPEN POSITION

DRAWING #:
MM-VVC-01A

SHEET #:
2 OF 5

JOB NAME & ADDRESS:
14 BAY
TIERED SYSTEM

ORIGINATION
DATE: 1-30-26

REVISIONS
REVISED
REVISED
REVISED

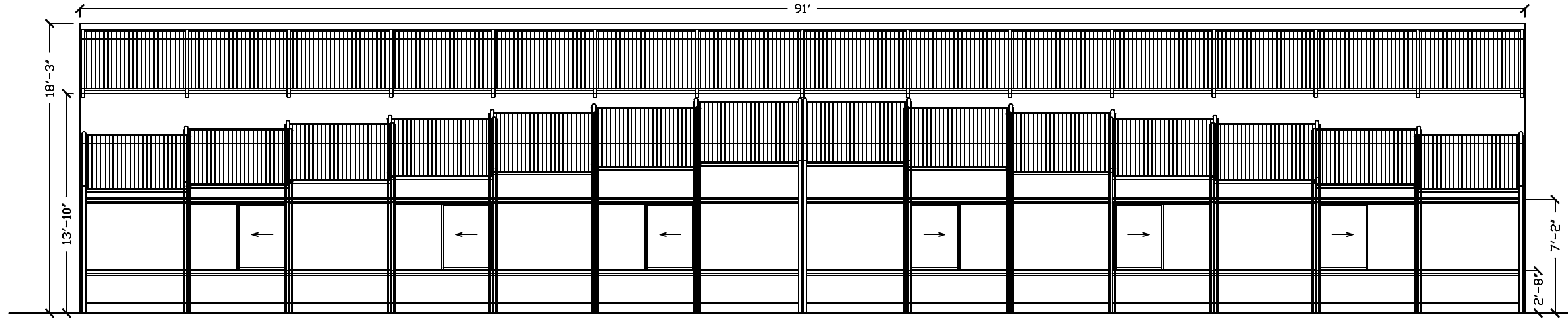
SCALE: 1/8" = 1'-0"

SALESMAN: M. MORRIS

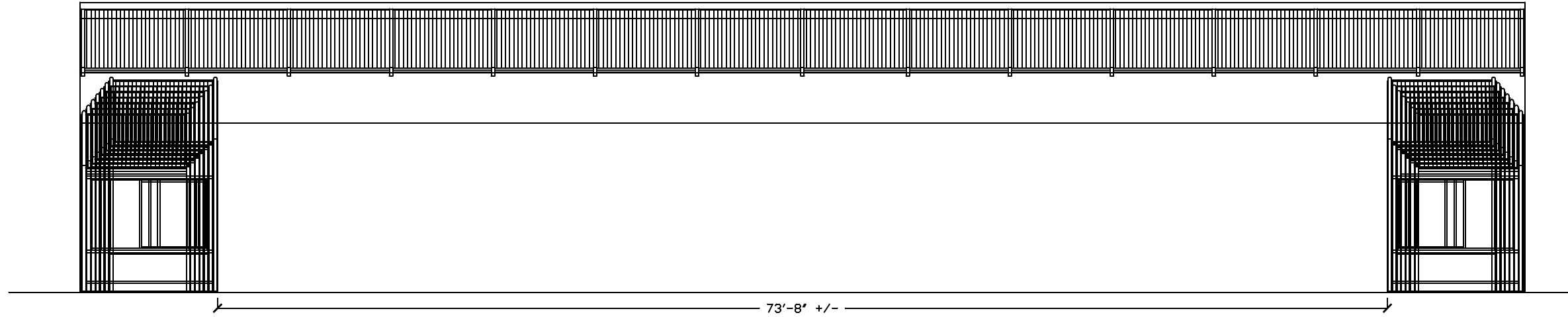
DRAWN BY: B. TAYLOR

ROLL-A-COVER INT'L
36 SARGENT DR.
BETHANY, CT 06524

Tel: 203-393-7292
Fax: 203-286-2012
WWW.ROLLACOVER.COM



RAC FRONT ELEVATION - CLOSED POSITION



RAC FRONT ELEVATION - OPEN POSITION

ROLL-A-COVER INT'L
 36 SARGENT DR.
 BETHANY, CT 06524

Tel: 203-393-7292
 Fax: 203-286-2012
 WWW.ROLLACOVER.COM

SCALE: 1/8" = 1'-0"

SALESMAN: M. MORRIS

DRAWN BY: B. TAYLOR

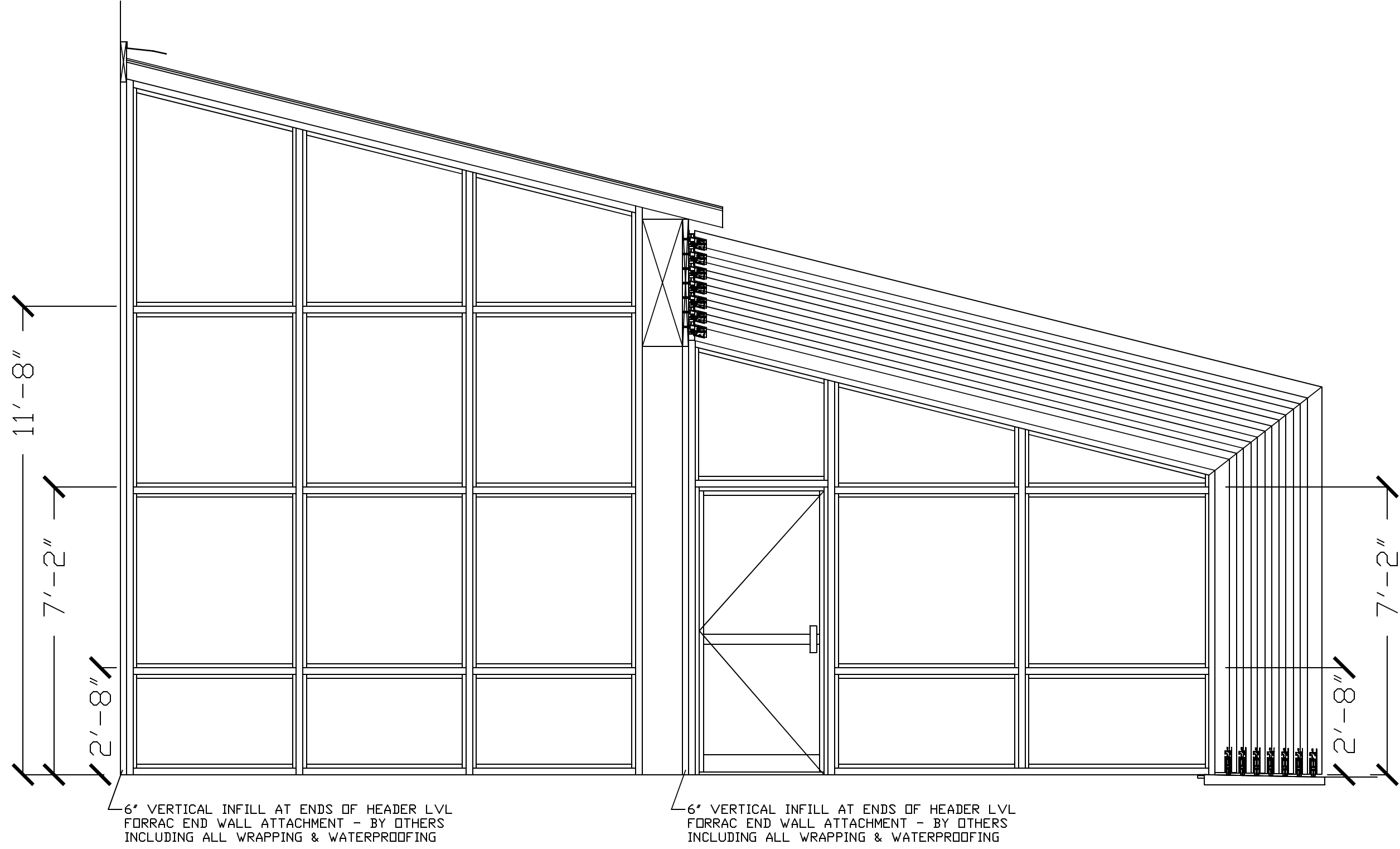
JOB NAME & ADDRESS:
 14 BAY
 TIERED SYSTEM

ORIGINATION REVISION REVISION REVISION REVISION

DATE: 1-30-26

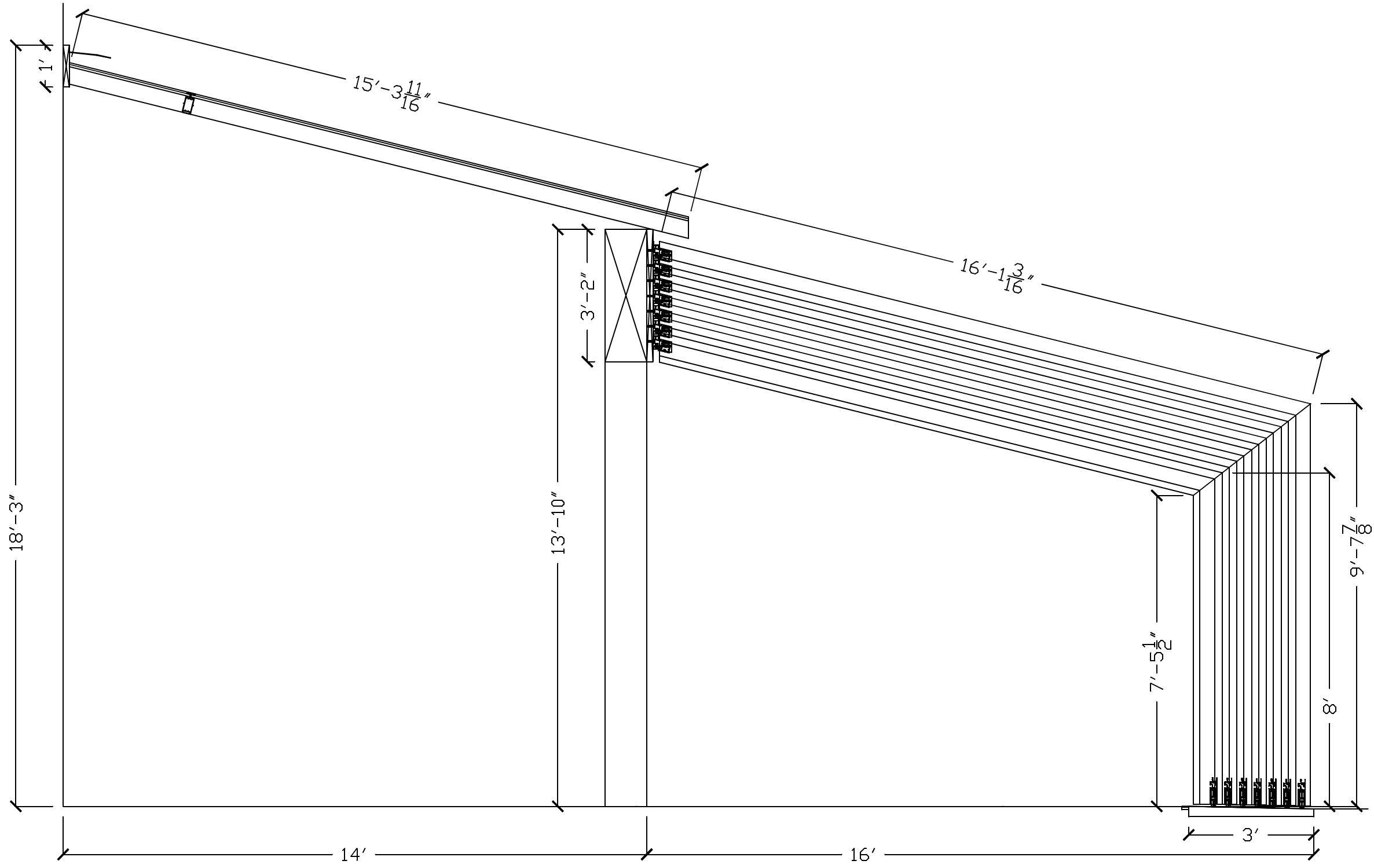
DRAWING #:
 MM-VVC-01A

SHEET #:
 3 OF 5



RAC UNIT SECTION

DRAWING #: MM-VVC-01A	JOB NAME & ADDRESS: 14 BAY TIERED SYSTEM		SCALE: 3/8" = 1'-0"	ROLL-A-COVER INT'L
	ORIGINATION REVISIONS REVISIONS REVISIONS		SALESMAN: M. MORRIS	36 SARGENT DR. BETHANY, CT 06524
SHEET #: 4 OF 5	DATE: 1-30-26		DRAWN BY: B. TAYLOR	Tel: 203-393-7292 Fax: 203-286-2012 www.rollacover.com



RAC UNIT SECTION

DRAWING #:
MM-VVC-01A

SHEET #:
5 OF 5

JOB NAME & ADDRESS:
14 BAY
TIERED SYSTEM

ORIGINATION
DATE: 1-30-26

REVISIONS
REVISED
REVISED
REVISED
REVISED

SCALE: 3/8" = 1'-0"

SALESMAN: M. MORRIS

DRAWN BY: B. TAYLOR

ROLL-A-COVER INT'L
36 SARGENT DR.
BETHANY, CT 06524

Tel: 203-393-7292
Fax: 203-286-2012
WWW.ROLLACOVER.COM