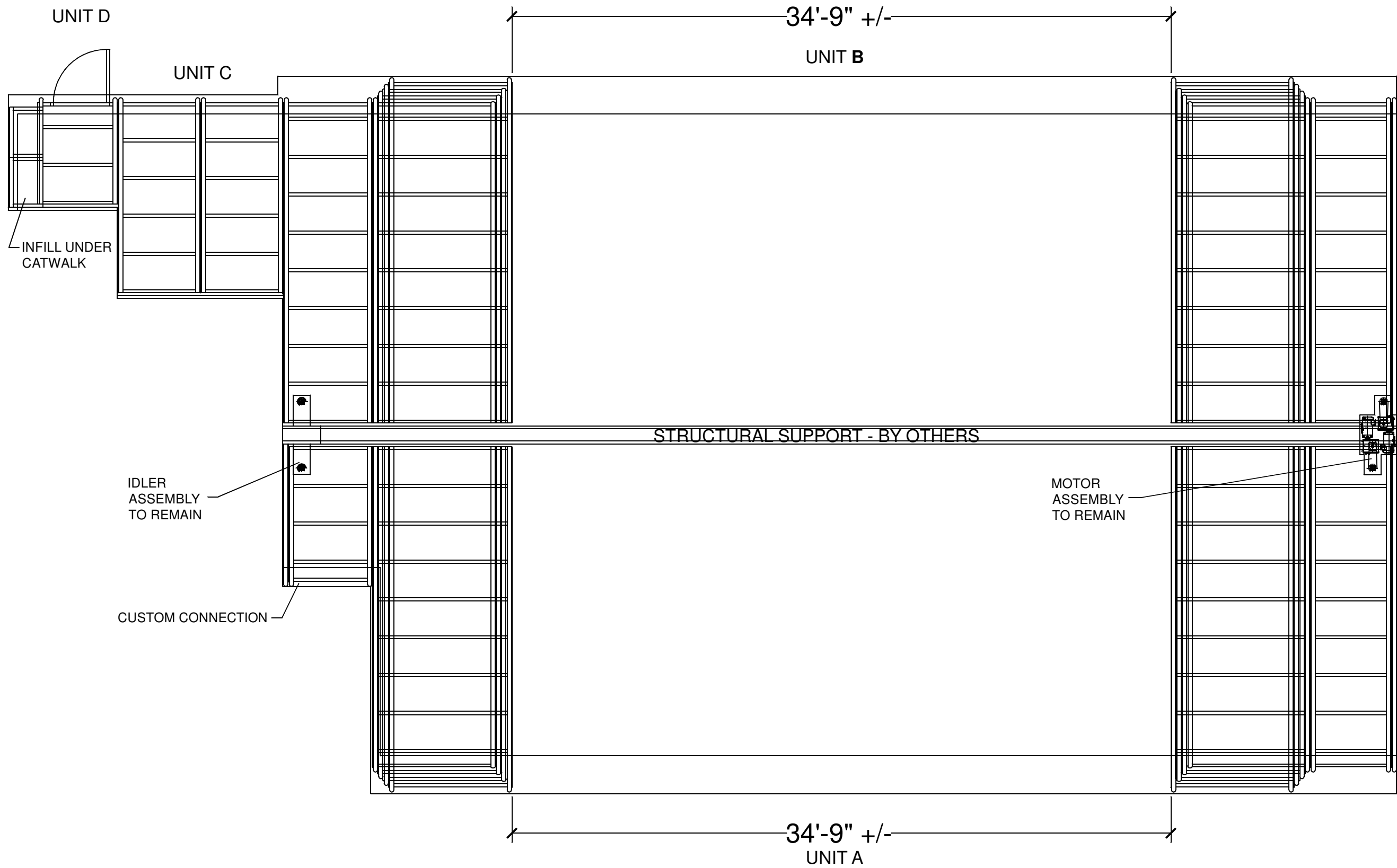


# NOT FOR FABRICATION



RAC UNIT PLAN - OPEN POSITION WITH MOTOR AND IDLER LOCATION

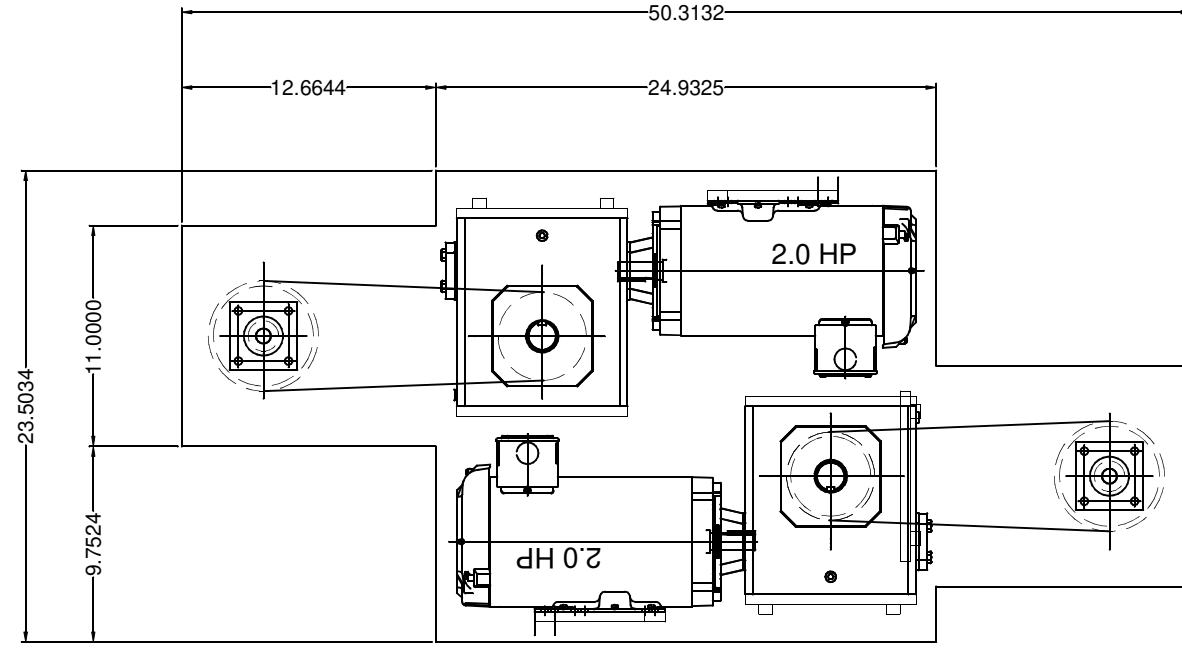
ROLL-A-COVER INT'L  
 36 SARGENT DR.  
 BETHANY, CT 06524  
 Tel: 203-393-7292  
 Fax: 203-286-2012  
 www.rollacover.com

SCALE: NTS  
 SALESMAN: M. MORRIS  
 DRAWN BY: B. TAYLOR

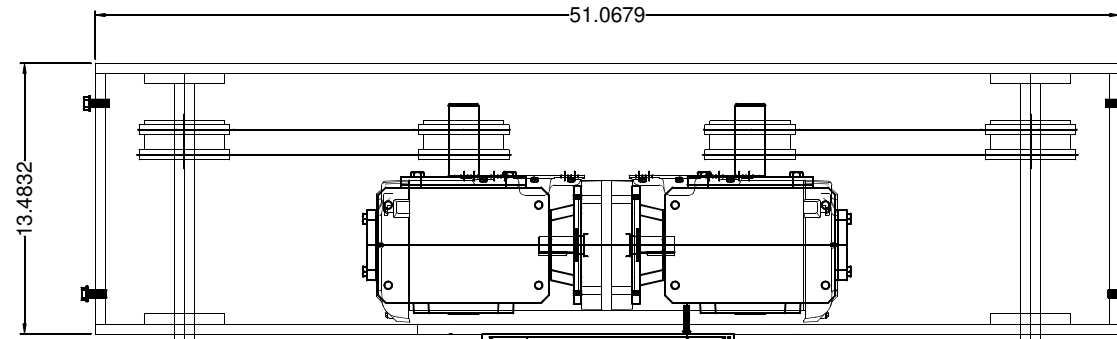
JOB NAME & ADDRESS:  
 BACK-TO-BACK LEAN-TO  
 ORIGINATION: REVISED  
 DATE: 5-3-19  
 REVISED: 5-7-19  
 REVISED: 6-18-19

DRAWING #:  
 MM-MXE-03D  
 SHEET #:  
 MOTOR 1

# NOT FOR FABRICATION



## MOTOR ASSEMBLY TO REMAIN



DISCONNECTED FROM MOTOR DURING REMOVAL

## RAC UNIT SECTIONS W/ MOTOR ASSEMBLY

ROLL-A-COVER INT'L  
36 SARGENT DR.  
BETHANY, CT 06524  
Tel: 203-393-7292  
Fax: 203-286-2012  
www.rollacover.com

SCALE: NTS

SALESMAN: M. MORRIS

DRAWN BY: B. TAYLOR

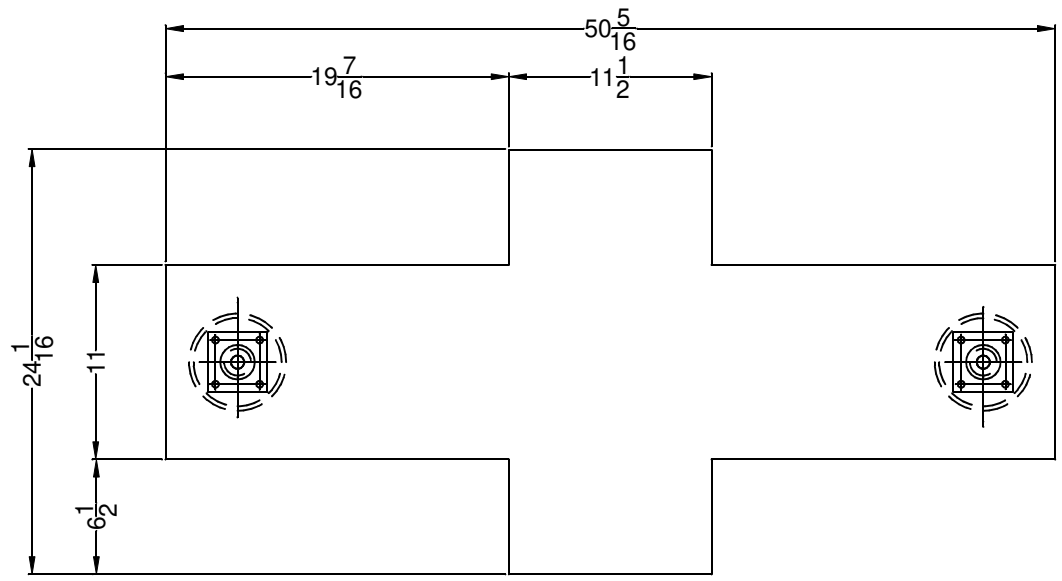
JOB NAME & ADDRESS:  
BACK-TO-BACK LEAN-TO

ORIGINATION  
DATE: 5-3-19  
REVISED 5-7-19  
REVISED 6-18-19

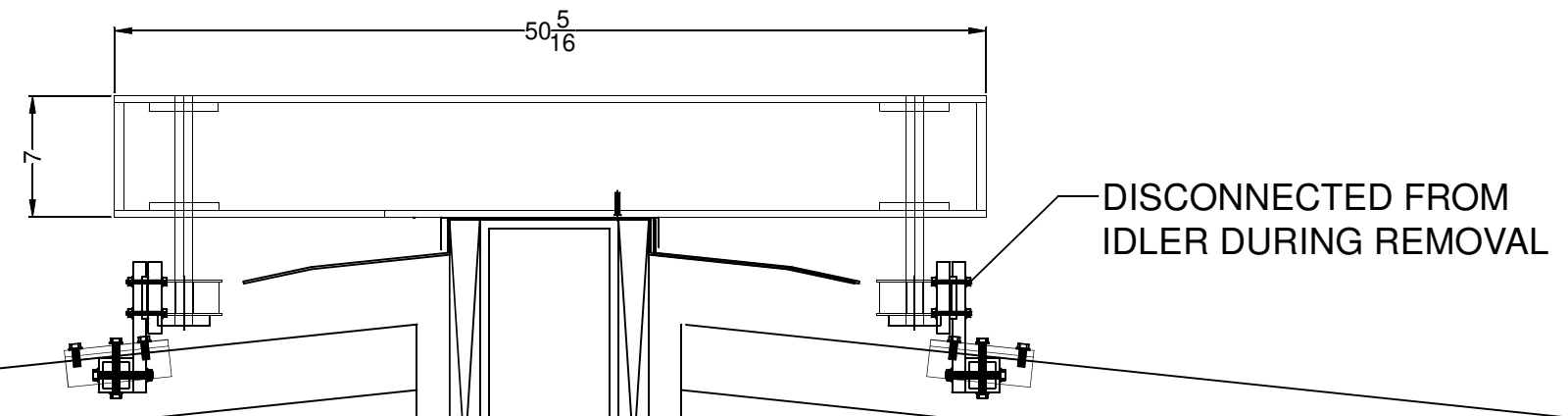
DRAWING #:  
MM-MXE-03D

SHEET #:  
MOTOR 2

# NOT FOR FABRICATION



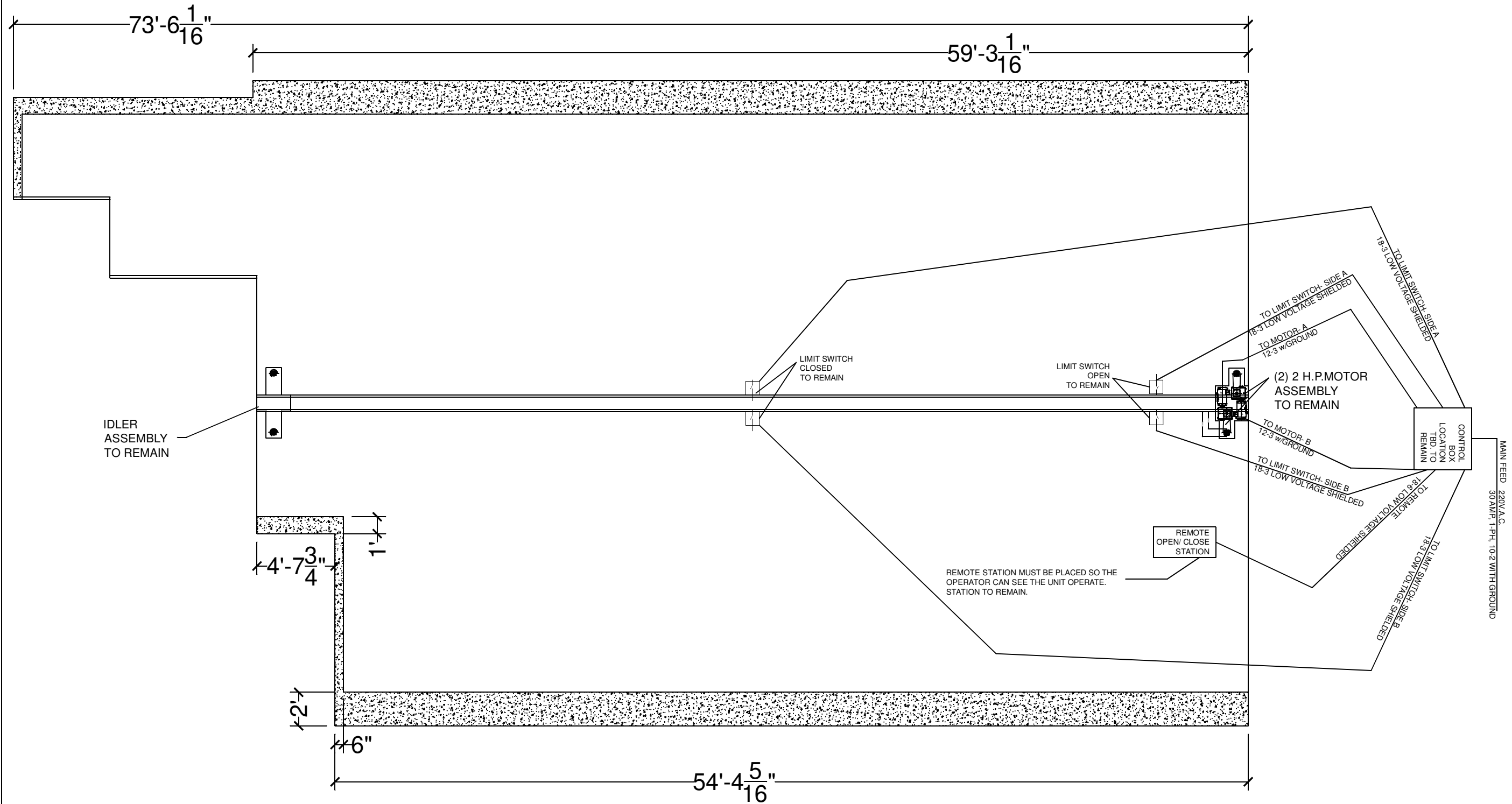
IDLER ASSEMBLY TO REMAIN



RAC UNIT SECTIONS W/ IDLER ASSEMBLY

DRAWING #: MM-MXE-03D	JOB NAME & ADDRESS: BACK-TO-BACK LEAN-TO		SCALE: NTS	ROLL-A-COVER INT'L	
	DATE: 5-3-19		SALESMAN: M. MORRIS	36 SARGENT DR. BETHANY, CT 06524	
SHEET #: MOTOR 3	ORIGINATION	REVISED	REVISED	REVISED	Tel: 203-393-7292 Fax: 203-286-2012 www.rollacover.com
	5-3-19	5-7-19	6-18-19		

# NOT FOR FABRICATION



## RAC ELECTRICAL PLAN

\*\*ALL SITE WORK BY OTHERS UNLESS OTHERWISE NOTED

ROLL-A-COVER INT'L  
 36 SARGENT DR.  
 BETHANY, CT 06524  
 Tel: 203-393-7292  
 Fax: 203-286-2012  
 www.rollacover.com

SCALE: NTS  
 SALESMAN: M. MORRIS  
 DRAWN BY: B. TAYLOR

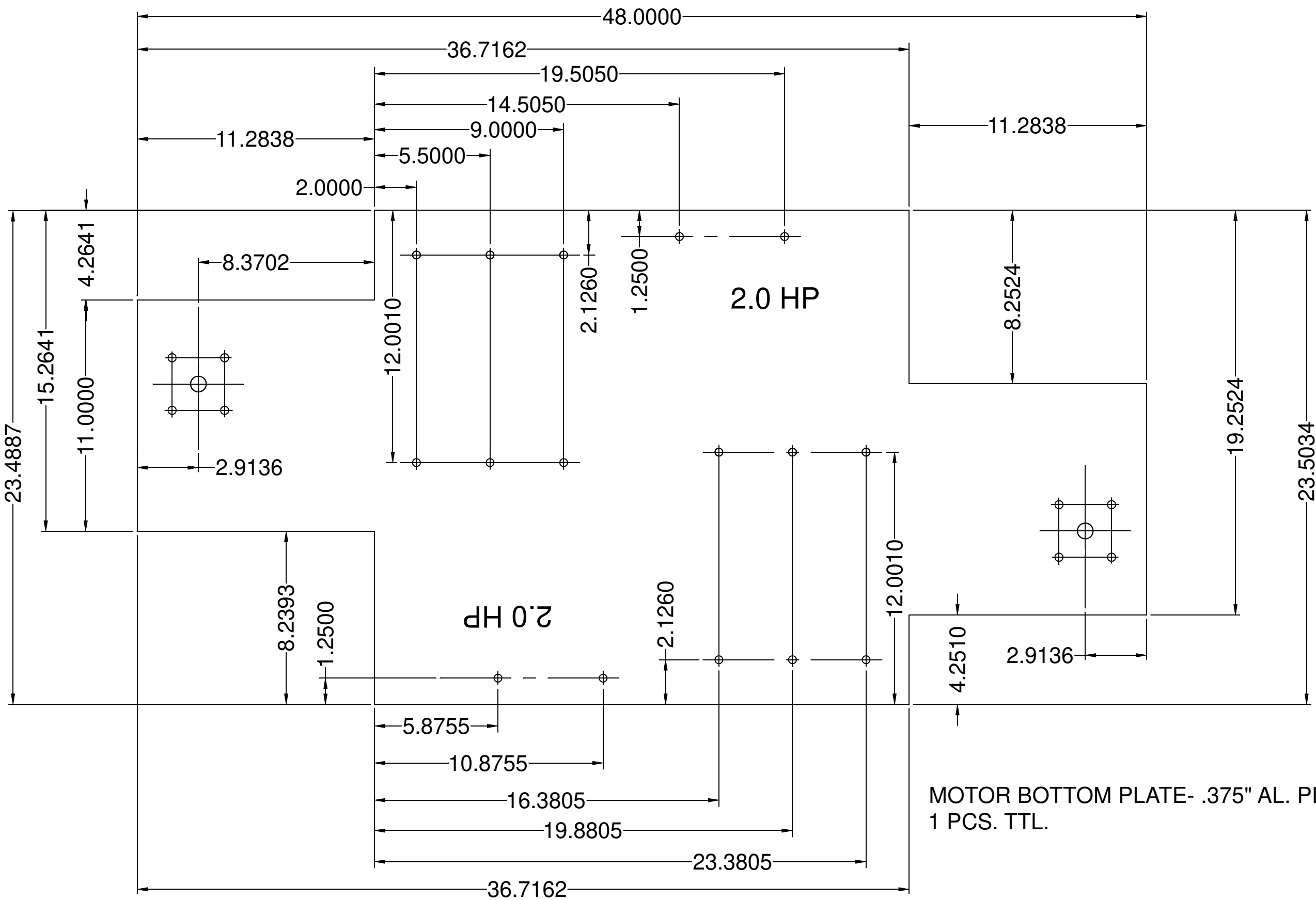
JOB NAME & ADDRESS:  
 BACK-TO-BACK LEAN-TO

ORIGINATION: REVISED REVISED REVISED  
 DATE: 5-6-19 6-18-19

DRAWING #:  
 MM-MXE-03D

SHEET #:  
 MOTOR 4

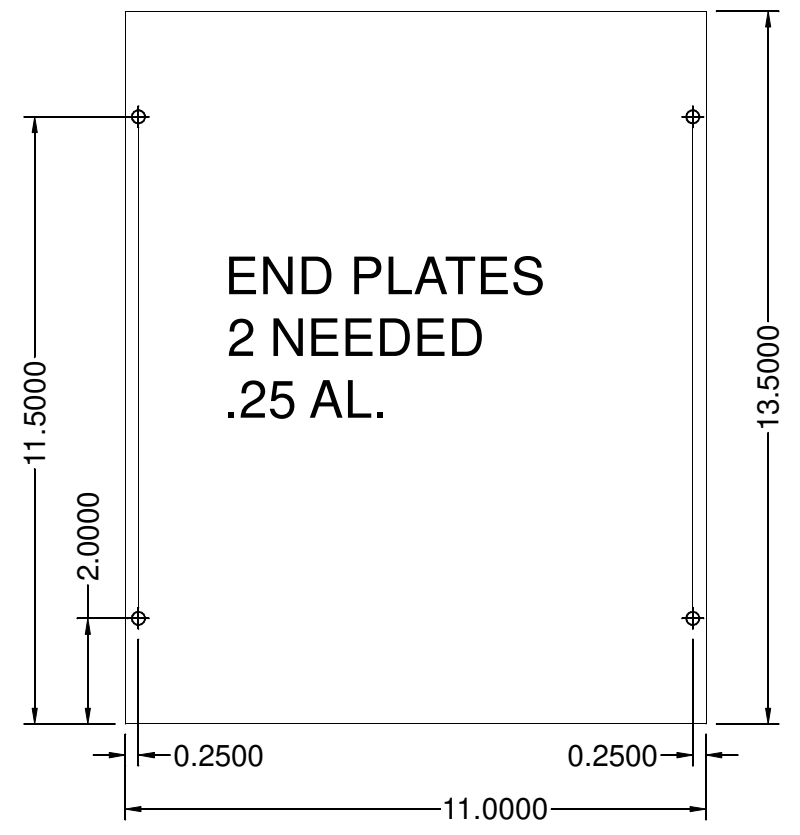
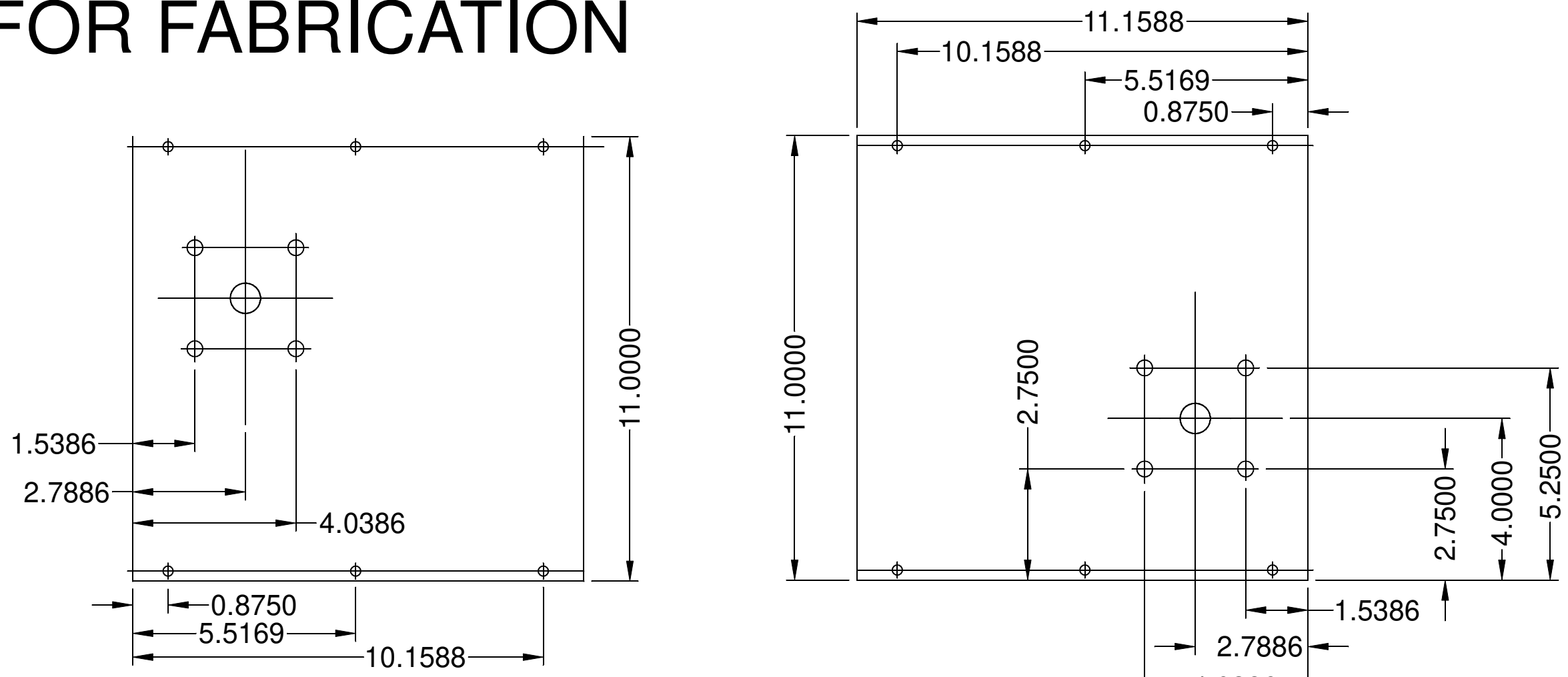
# NOT FOR FABRICATION



MOTOR BOTTOM PLATE- .375" AL. PLATE  
1 PCS. TTL.

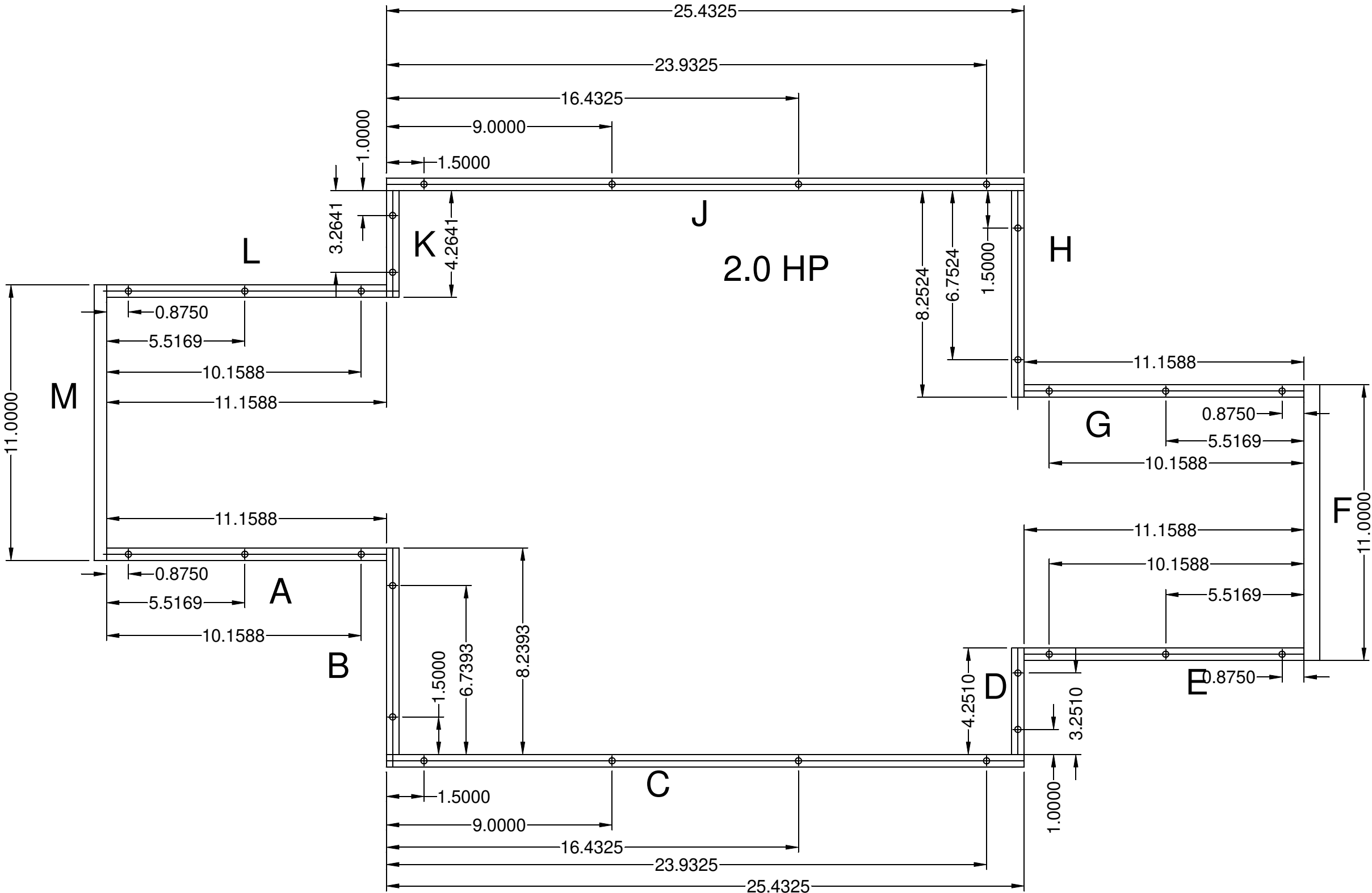
DRAWING #: MM-MXE-03B	JOB NAME & ADDRESS: BACK-TO-BACK LEAN-TO		SCALE: NTS	ROLL-A-COVER INT'L	
	ORIGINATION: REVISED REVISED REVISED		SALESMAN: M. MORRIS	36 SARGENT DR. BETHANY, CT 06524	
SHEET #: MOTOR MOUNT 1	DATE: 5-3-19	6-25-19	DRAWN BY: B. TAYLOR	Tel: 203-993-7292 Fax: 203-286-2012 www.rollacover.com	

# NOT FOR FABRICATION



DRAWING #: MM-MXE-03B	JOB NAME & ADDRESS: BACK-TO-BACK LEAN-TO		SCALE: NTS	ROLL-A-COVER INT'L	
	DATE: 5-3-19		SALESMAN: M. MORRIS	36 SARGENT DR. BETHANY, CT 06524	
SHEET #: MOTOR MOUNT 2	ORIGINATION	REVISED	REVISED	REVISED	Tel: 203-393-7292 Fax: 203-286-2012 www.rollacover.com
	DATE: 6-25-19		DRAWN BY: B. TAYLOR		

# NOT FOR FABRICATION



ROLL-A-COVER INT'L  
 36 SARGENT DR.  
 BETHANY, CT 06524  
 Tel: 203-393-7292  
 Fax: 203-286-2012  
 www.rollacover.com

SCALE: NTS  
 SALESMAN: M. MORRIS  
 DRAWN BY: B. TAYLOR

JOB NAME & ADDRESS:  
 BACK-TO-BACK LEAN-TO

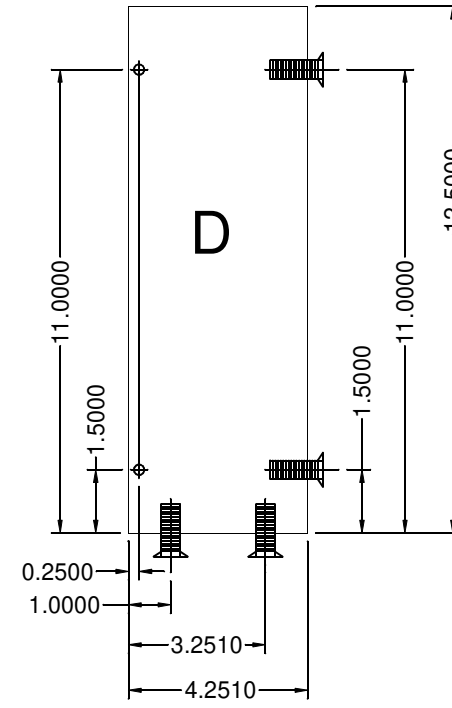
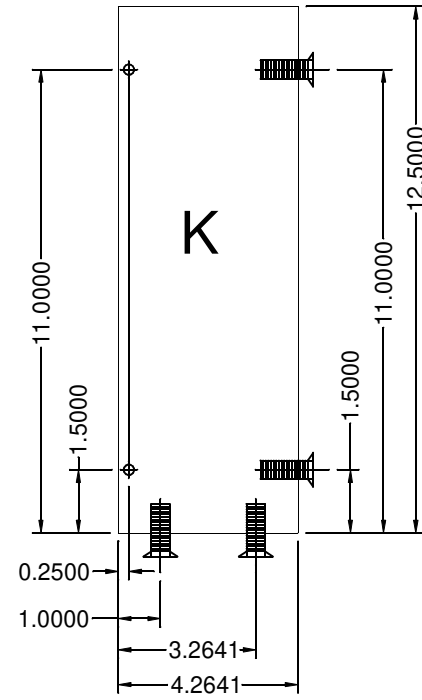
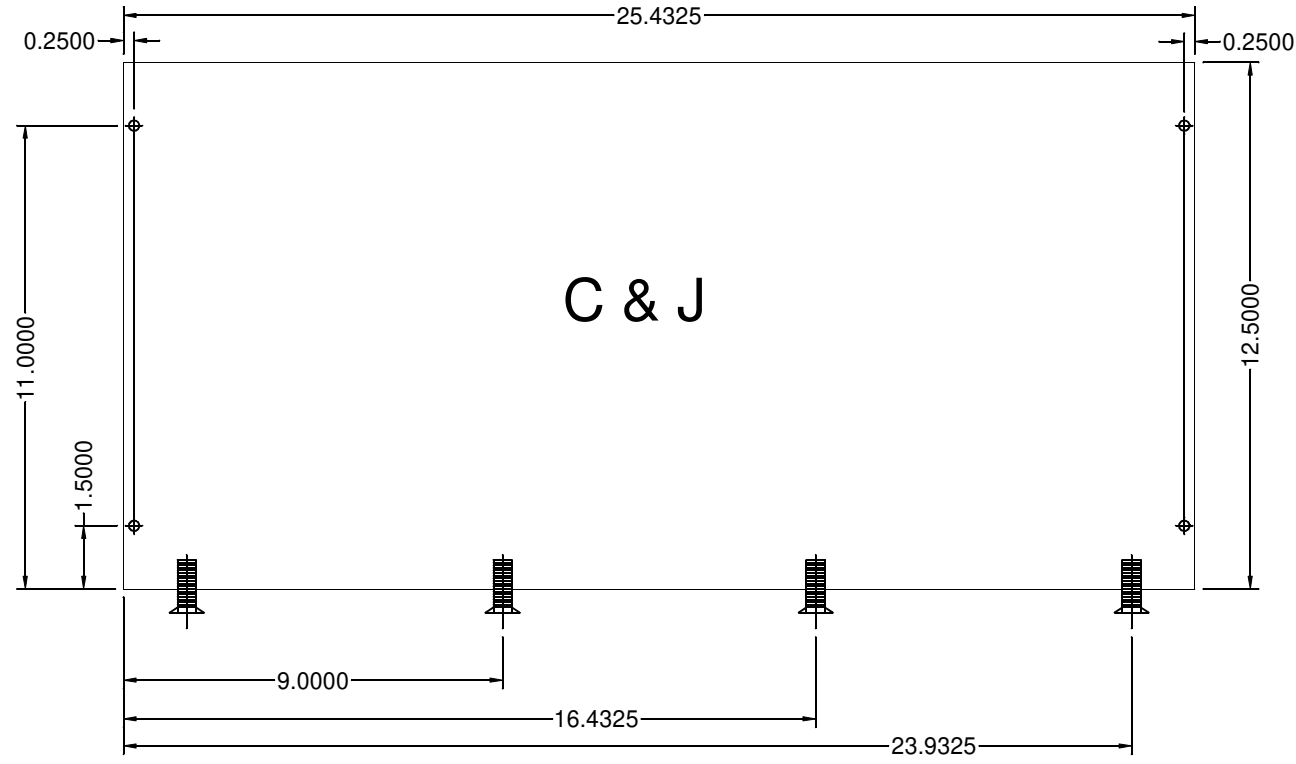
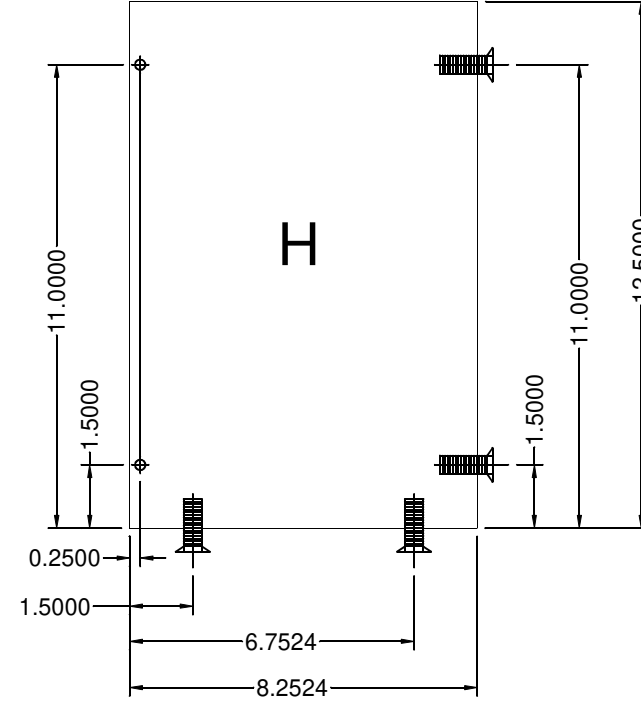
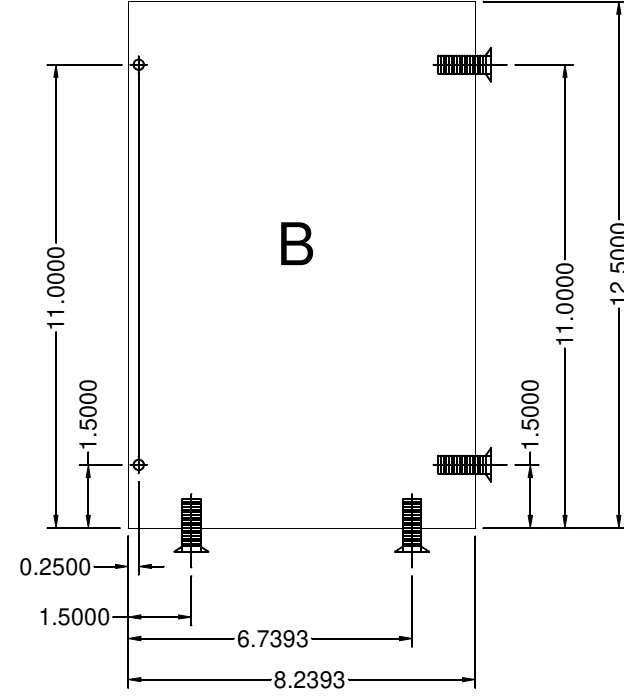
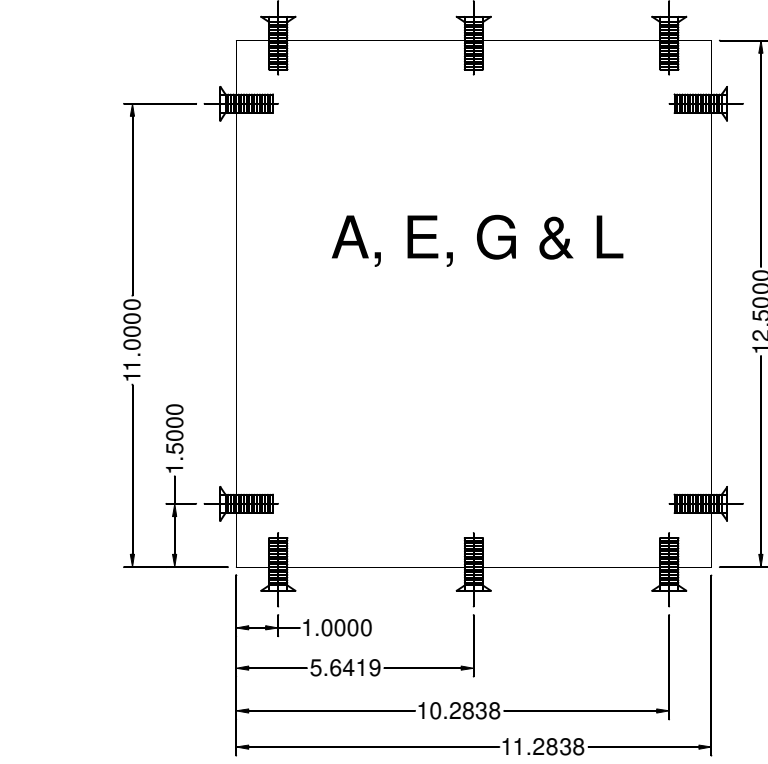
ORIGINATION: REVISED  
 DATE: 5-3-19

REVISIONS:  
 REVISED  
 REVISED  
 REVISED  
 REVISED

DRAWING #:  
 MM-MXE-03B

SHEET #:  
 MOTOR MOUNT 3

# NOT FOR FABRICATION



DRAWING #:

MM-MXE-03B

SHEET #:

MOTOR MOUNT 4

JOB NAME & ADDRESS:

BACK-TO-BACK LEAN-TO

ORIGINATION DATE: 5-3-19

REVISED 5-7-19

REVISED

SCALE: NTS

SALESMAN: M. MORRIS

DRAWN BY: B. TAYLOR

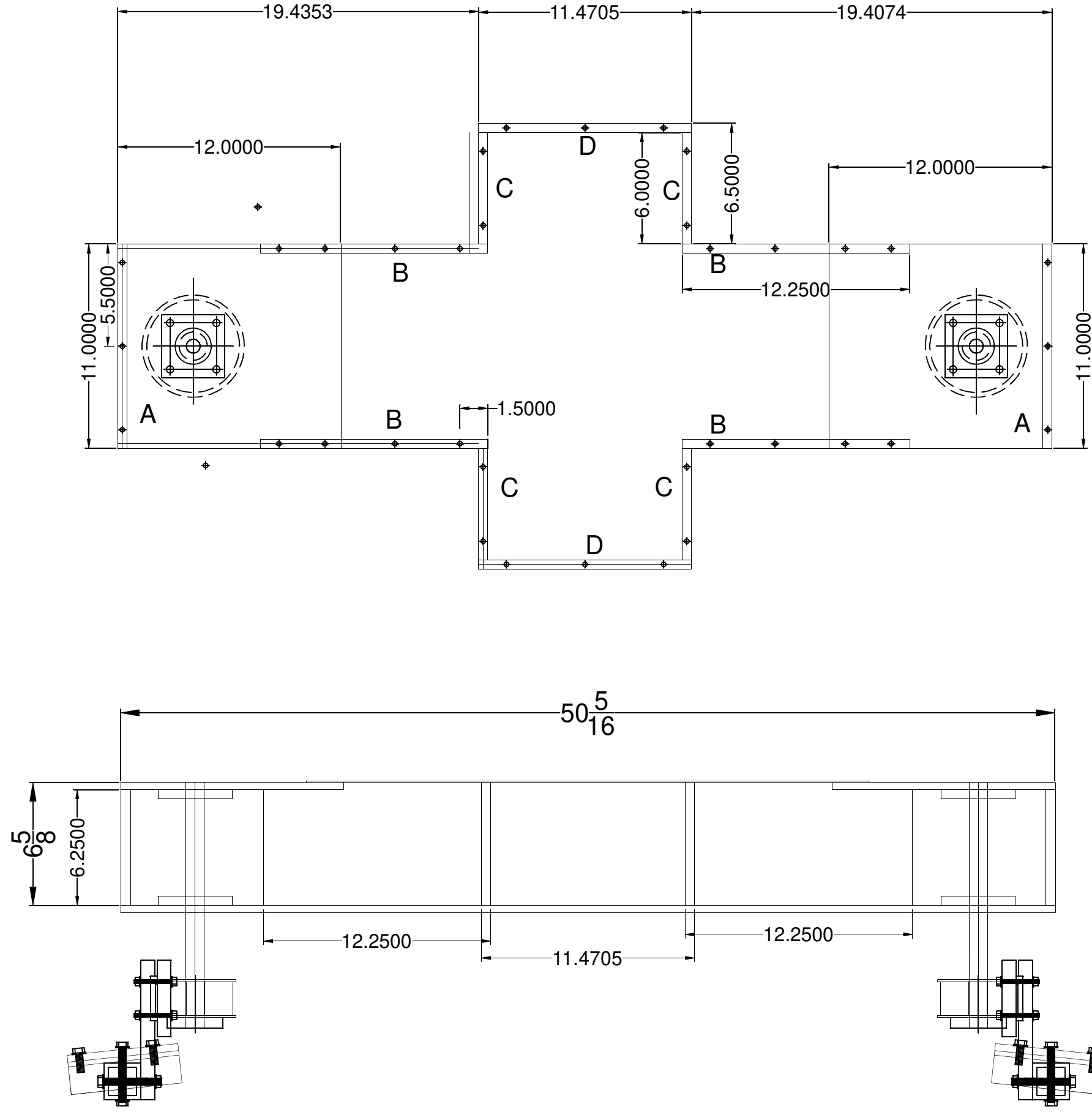
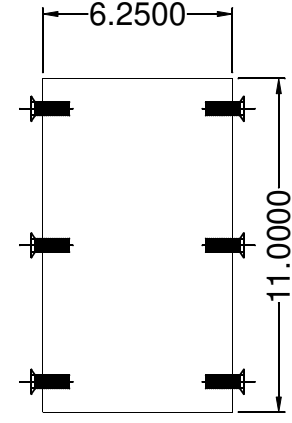
ROLL-A-COVER INT'L

36 SARGENT DR.  
BETHANY, CT 06524

Tel: 203-393-7292  
Fax: 203-286-2012

www.rollacover.com

# NOT FOR FABRICATION



DRAWING #:

MM-HXE-03B

SHEET #:

IDLER  
MOUNT 1

JOB NAME & ADDRESS:

BACK-TO-BACK LEAN-TO

DATE:

5-3-19

ORIGINATION

5-7-19

REVISION

REVISED

SCALE: NTS

SALESMAN: M. MORRIS

DRAWN BY: B. TAYLOR

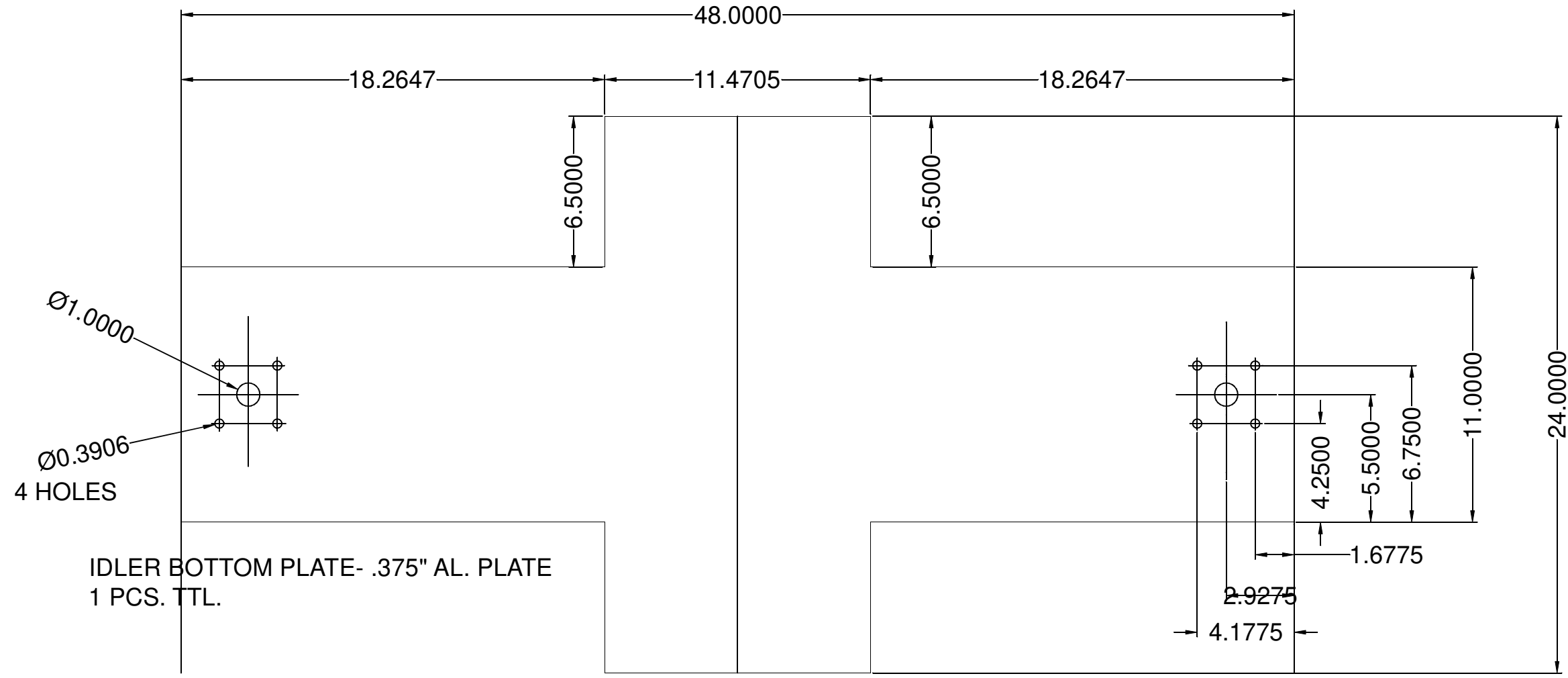
ROLL-A-COVER INT'L

36 SARGENT DR.  
BETHANY, CT 06524

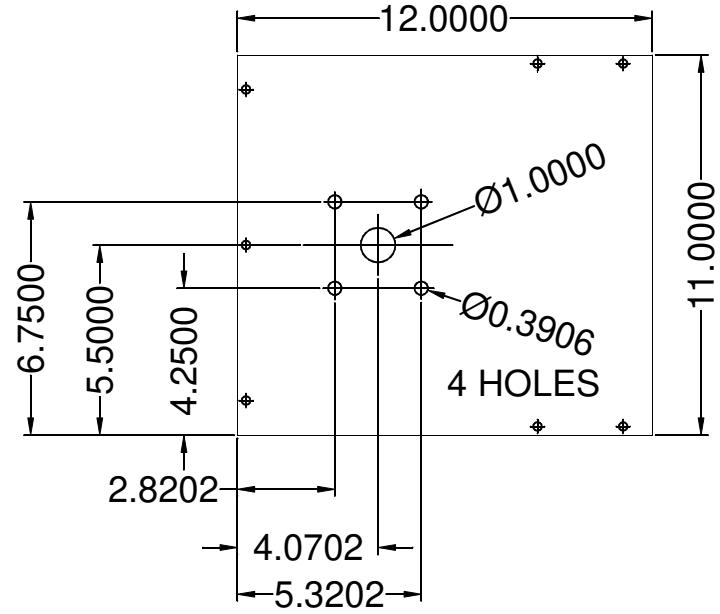
Tel: 203-393-7292  
Fax: 203-286-2012

www.rollacover.com

# NOT FOR FABRICATION



IDLER BOTTOM PLATE- .375" AL. PLATE  
1 PCS. TTL.

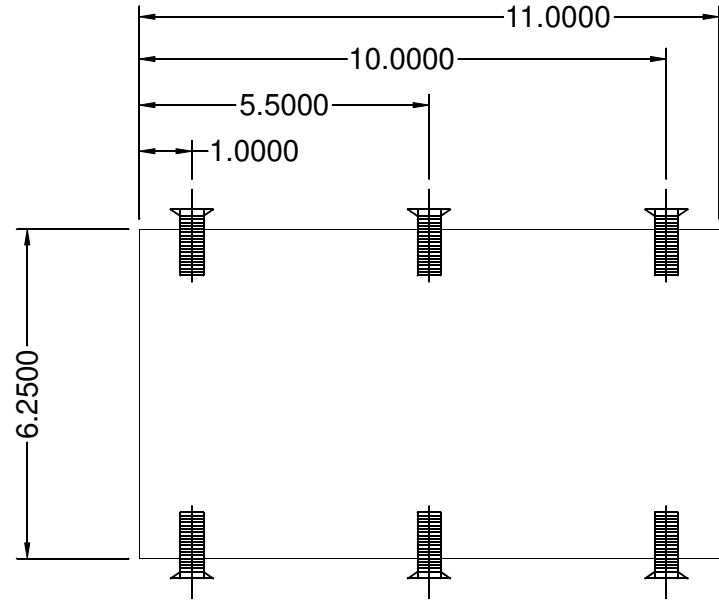


IDLER TOP PLATE- .375" AL. PLATE  
2 PCS. TTL.

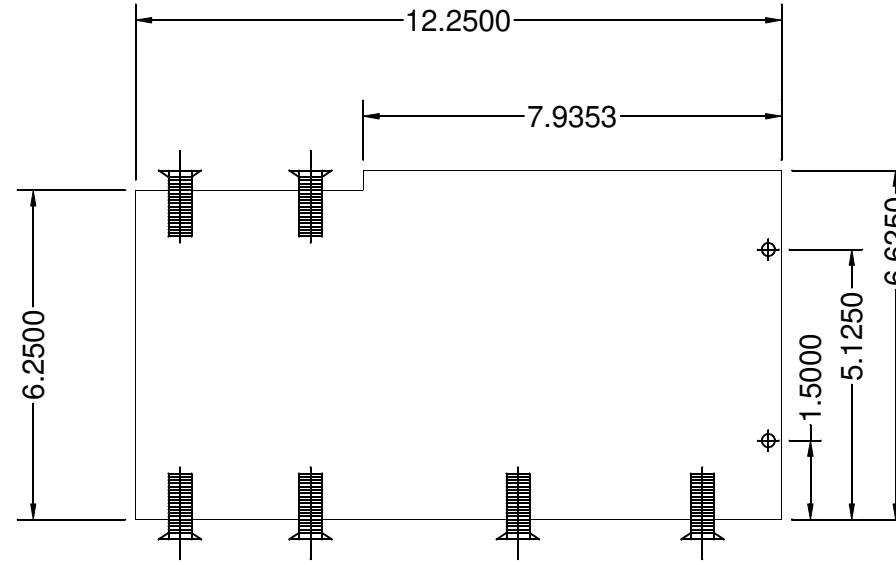


DRAWING #: MM-MXE-03B	JOB NAME & ADDRESS: BACK-TO-BACK LEAN-TO	SCALE: NTS	ROLL-A-COVER INT'L	
	SHEET #: IDLER MOUNT 2	ORIGINATION DATE: 5-3-19	SALESMAN: M. MORRIS	36 SARGENT DR. BETHANY, CT 06524
	REVISION DATE: 5-7-19	DRAWN BY: B. TAYLOR	Tel: 203-393-7292 Fax: 203-286-2012 www.rollacover.com	

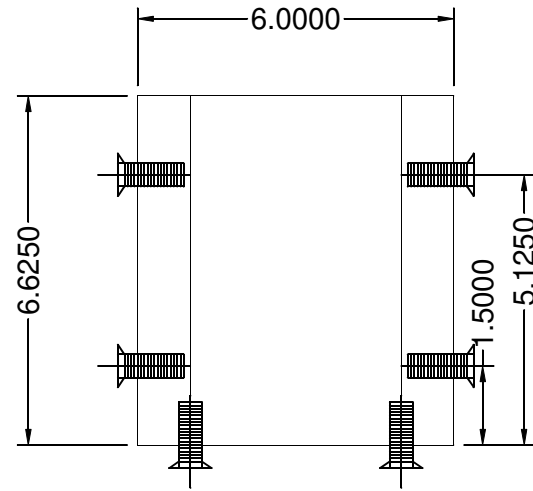
# NOT FOR FABRICATION



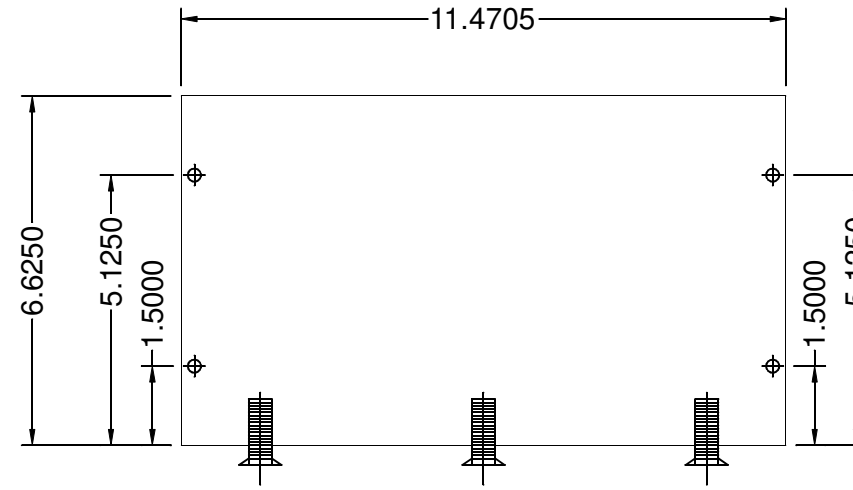
A- .5 AL. SHEET  
2 NEEDED



B- .5 AL. SHEET  
4 NEEDED



C- .5 AL. SHEET  
4 NEEDED



D- .5 AL. SHEET  
2 NEEDED

DRAWING #: MM-MXE-03B	JOB NAME & ADDRESS: BACK-TO-BACK LEAN-TO		SCALE: NTS	ROLL-A-COVER INT'L	
	DATE: 5-3-19		SALESMAN: M. MORRIS	36 SARGENT DR. BETHANY, CT 06524	
SHEET #: IDLER MOUNT 3	ORIGINATION: 5-3-19	REVISED: 5-7-19	DRAWN BY: B. TAYLOR	Tel: 203-393-7292 Fax: 203-286-2012 www.rollacover.com	